

TRUMBULL

CHAINWHEELS & ACCESSORIES

TO OPERATE OVERHEAD VALVES



DUCTILE IRON

STAINLESS STEEL

ALUMINUM

CARBON STEEL

Ductile Iron Chainwheels

Sprocket-Type, for use with Single Loop Cut Chain

Used to operate overhead valves from the floor.

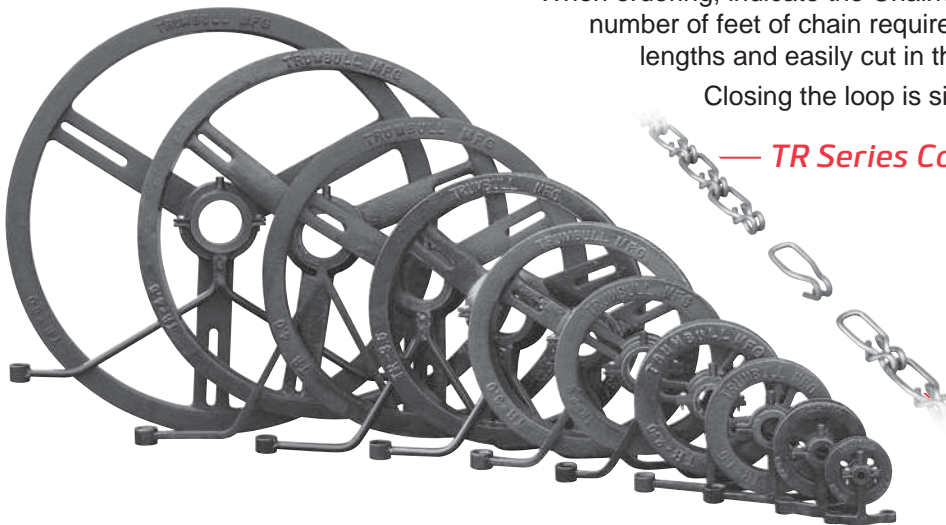
DUCTILE IRON CHAINWHEELS allow operation of valves, actuators, or gear boxes in high, hard-to reach locations by means of a slight pull on the chain. Universal design allows Chainwheel to be clamped to handwheel, or pinned directly to the stem.

Ductile Iron Chainwheels are furnished with plated steel attachment hardware for clamping to a handwheel. When Chainwheel is to be pinned to the stem, direct mount adapters are available. The adapters require pinning to the stem as illustrated on page 10. Adapter is pre-drilled with pin hole, and supplied with a stainless steel pin for customer mounting to the stem. Drilling of the stem by customer. To prevent serious injury, we recommend the use of our Secondary Safety Restraint System (see pages 13 and 14). All Trumbull Chainwheels are furnished with a threaded boss for the addition of our Safety Restraint System.

| Trumbull Item No. | Size No. | Diameter | Boxed Weight | Handwheel OD Range Chainwheel will Fit | Chain Size | Galvanized Chain | Stainless Chain | Chain Length (2X drop) plus... |
|-------------------|----------|----------|--------------|--|------------|-------------------|-------------------|--------------------------------|
| | | | | | | Trumbull Item No. | Trumbull Item No. | |
| 367-1873 | TR-0.0 | 102 mm | 1.02 kg | 51 mm to 102 mm | #2 | 172-1650 | ---- | 0.30 m |
| 367-1874 | TR-1.0 | 152 mm | 2.45 kg | 108 mm to 146 mm | 1/0 | 367-1894 | 367-1897 | 0.30 m |
| 367-1875 | TR-1.5 | 190 mm | 3.97 kg | 152 mm to 190 mm | 1/0 | 367-1894 | 367-1897 | 0.30 m |
| 367-1876 | TR-2.0 | 229 mm | 6.08 kg | 197 mm to 229 mm | 1/0 | 367-1894 | 367-1897 | 0.46 m |
| 367-1877 | TR-2.5 | 317 mm | 7.71 kg | 235 mm to 317 mm | 4/0 | 367-1895 | 367-1898 | 0.46 m |
| 367-1878 | TR-3.0 | 394 mm | 9.80 kg | 324 mm to 394 mm | 4/0 | 367-1895 | 367-1898 | 0.61 m |
| 367-1879 | TR-3.5 | 483 mm | 13.99 kg | 400 mm to 483 mm | 4/0 | 367-1895 | 367-1898 | 0.76 m |
| 367-1880 | TR-4.0 | 559 mm | 19.39 kg | 489 mm to 559 mm | 5/0 | 367-1896 | 367-1901 | 0.91 m |
| 367-1881 | TR-4.5 | 660 mm | 22.23 kg | 571 mm to 660 mm | 5/0 | 367-1896 | 367-1901 | 1.07 m |
| 367-1882 | TR-5.0 | 762 mm | 28.76 kg | 571 mm to 914 mm | 5/0 | 367-1896 | 367-1901 | 1.22 m |

When ordering, indicate the Chainwheel and chain size numbers and the number of feet of chain required. Chain is provided in continuous lengths and easily cut in the field to exact length needed.

Closing the loop is simple with Connecting Links . . .



— TR Series Connecting Links —

| Chain Size | Galv. | Stainless |
|------------|-------------------|-------------------|
| | Trumbull Item No. | Trumbull Item No. |
| 1/0 | 367-1994 | 367-1997 |
| 4/0 | 367-1995 | 367-1998 |
| 5/0 | 367-1996 | ---- |

See page 11 for more information about our Connecting Links.

Note **DUCTILE IRON** and Aluminum Chainwheels are sprocket-type, using single loop cut chain. Carbon Steel and Stainless Steel Chainwheels are pocket-type, using smooth welded link machine chain. See page 7 for Chainwheel dimensions.

Aluminum Chainwheels

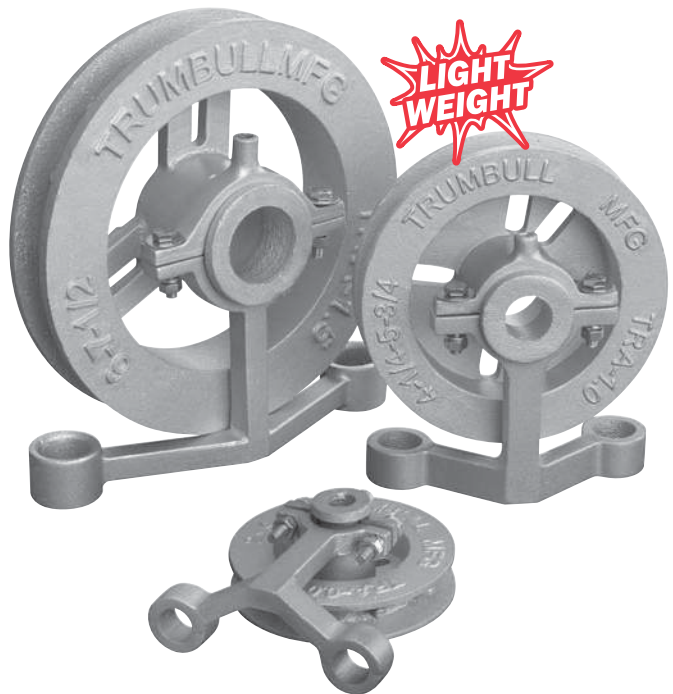
Sprocket-Type, for use with Single Loop Cut Chain
 Used to operate overhead valves from the floor.

ALUMINUM CHAINWHEELS allow operation of valves, actuators, or gear boxes in high, hard-to reach locations by means of a slight pull on the chain. The light weight of aluminum Chainwheels is desirable to minimize the weight on the stems. Universal design allows Chainwheel to be clamped to a handwheel, or pinned directly to the stem.

Provided with a protective coating.

Aluminum Chainwheels are furnished with stainless steel attachment hardware for clamping to a handwheel. When Chainwheel is to be pinned to the stem, direct mount adapters are available. The adapters require pinning to the stem as illustrated on page 10. Adapter is pre-drilled with pin hole, and supplied with a stainless steel pin for customer mounting to the stem. Drilling of the stem by customer.

To prevent serious injury, we recommend the use of our Secondary Safety Restraint System (see pages 13 and 14 for more information). All Trumbull Chainwheels are furnished with a threaded boss for the addition of our Safety Restraint System.



| Trumbull Item No. | Size No. | Diameter | Boxed Weight | Handwheel OD Range Chainwheel will Fit | Chain Size | Galvanized Chain | Stainless Chain | Chain Length (2X drop) plus... |
|-------------------|----------|----------|--------------|--|------------|-------------------|-------------------|--------------------------------|
| | | | | | | Trumbull Item No. | Trumbull Item No. | |
| 367-2020 | TRA-0.0 | 102 mm | 0.48 kg | 51 mm to 102 mm | #2 | 172-1650 | ---- | 0.30 m |
| 367-2021 | TRA-1.0 | 152 mm | 1.20 kg | 108 mm to 146 mm | 1/0 | 367-1894 | 367-1897 | 0.30 m |
| 367-2022 | TRA-1.5 | 190 mm | 1.88 kg | 152 mm to 190 mm | 1/0 | 367-1894 | 367-1897 | 0.30 m |
| 367-2023 | TRA-2.0 | 229 mm | 2.40 kg | 197 mm to 229 mm | 1/0 | 367-1894 | 367-1897 | 0.46 m |
| 367-2024 | TRA-2.5 | 317 mm | 3.58 kg | 235 mm to 317 mm | 4/0 | 367-1895 | 367-1898 | 0.46 m |

Ordering Info

When ordering, indicate the Chainwheel and chain size numbers and the number of feet of chain required. Chain is provided in continuous lengths and easily cut in the field to exact length needed.

Closing the loop is simple with Connecting Links.

TR Series Connecting Links

| Chain Size | Galv. | Stainless |
|------------|-------------------|-------------------|
| | Trumbull Item No. | Trumbull Item No. |
| 1/0 | 367-1994 | 367-1997 |
| 4/0 | 367-1995 | 367-1998 |
| 5/0 | 367-1996 | ---- |

See page 11 for more info.



Note Ductile Iron and **ALUMINUM** Chainwheels are sprocket-type, using single loop cut chain. Carbon Steel and Stainless Steel Chainwheels are pocket-type, using smooth welded link machine chain. See page 7 for Chainwheel dimensions.

Stainless Steel Chainwheels

Type 316 Pocket-Type, for Trumbull 316L Welded Link Machine Chain



Used to operate overhead valves from the floor.

STAINLESS STEEL CHAINWHEELS allow operation of valves, actuators, or gear boxes in high, hard-to reach locations by means of a slight pull on the chain. Universal design allows Chainwheel to be clamped to a handwheel, or pinned directly to the stem. Designed for corrosive environments, our Stainless Steel Chainwheels are Type 316 investment steel castings. Ideal in chemical processing, outdoor installations, or salt water environments.

Stainless Chainwheels are furnished with stainless steel attachment hardware for clamping to a handwheel. When Chainwheel is to be pinned to the stem, direct mount adapters are available. The adapters require pinning to the stem as illustrated on page 10. Adapter is pre-drilled with pin hole, and supplied with a stainless steel pin for customer mounting to the stem. Drilling of the stem by customer.

Pocket-type Chainwheels use smooth, welded link chain. Trumbull chain is calibrated specifically for use on the full range of Trumbull pocket-type Chainwheels and is required for smooth operation.

To prevent serious injury, we recommend the use of our Secondary Safety Restraint System (see pages 13 and 14). Furnished with a threaded boss for the addition of Safety Restraint System.



CORRODED CI CHAINWHEEL shows advantage of stainless

| Trumbull Item No. | Size No. | Diameter | Boxed Weight | Handwheel Range Chainwheel will Fit** | Bore*** Diameter | Chain Length (2X Drop) |
|-------------------|----------|----------|--------------|---------------------------------------|------------------|------------------------|
| 367-1825 | TRS-4D* | 105 mm | 2.15 kg | 38 mm I.D. to 114 mm O.D. | 12.7 mm | Plus 0.30 m |
| 367-1830 | TRS-6D* | 149 mm | 3.92 kg | 54 mm I.D. to 159 mm O.D. | 21.6 mm | Plus 0.30 m |
| 367-1833 | TRS-8B | 203 mm | 6.53 kg | 190 mm O.D. to 267 mm O.D. | 38.1 mm | Plus 0.46 m |
| 367-1845 | TRS-12B | 295 mm | 8.98 kg | 216 mm O.D. to 343 mm O.D. | 38.1 mm | Plus 0.46 m |
| 367-1850 | TRS-15B | 386 mm | 10.84 kg | 241 mm O.D. to 444 mm O.D. | 38.1 mm | Plus 0.61 m |
| 367-1860 | TRS-22B | 565 mm | 15.63 kg | 330 mm O.D. to 635 mm O.D. | 38.1 mm | Plus 0.91 m |
| 367-1870 | TRS-29B | 743 mm | 21.77 kg | 451 mm O.D. to 813 mm O.D. | 38.1 mm | Plus 1.22 m |
| 367-1871 | TRS-29C | 743 mm | 21.77 kg | 571 mm O.D. to 940 mm O.D. | 38.1 mm | Plus 1.22 m |

* D suffix denotes "Disc", used in lieu of standard clamping hardware; see page 9 for illustration.

** The ranges above are for Size "B" attachment stampings, furnished standard with TRS-8 to TRS-29 Chainwheels. Chainwheels can fit handwheel diameters outside these ranges by using optional hardware (see chart on page 9). Consult your Sales Rep for either shorter or longer attachment set stampings.

*** Consult factory if using OS&Y gate valves with stem diameters greater than bore diameters shown.

Machine Chain



| Description | Trumbull Item No. |
|-----------------------|-------------------|
| 316L SS Machine Chain | 367-1815 |
| SS Connecting Link | 367-1816 |



Ductile Iron and Aluminum Chainwheels are sprocket-type, using single loop cut chain.
 Carbon Steel and **STAINLESS STEEL** Chainwheels are pocket-type, using smooth welded link machine chain. See page 7 for Chainwheel dimensions.

Carbon Steel Chainwheels

Pocket-Type, for Trumbull 316L Welded Link Machine Chain

Used to operate overhead valves from the floor.

CARBON STEEL CHAINWHEELS allow operation of valves, actuators, or gear boxes in high, hard-to reach locations by means of a slight pull on the chain. Universal design allows Chainwheel to be clamped to a handwheel, or pinned directly to the stem.

Carbon Steel Chainwheels are furnished with stainless steel attachment hardware for clamping to a handwheel. When Chainwheel is to be pinned to the stem, direct mount adapters are available. The adapters require pinning to the stem as illustrated on page 10. Adapter is pre-drilled with pin hole, and supplied with a stainless steel pin for customer mounting to the stem. Drilling of the stem by customer.

Carbon Steel Chainwheels are finished with e-coating.

Pocket-type Chainwheels use smooth, welded link chain. Trumbull chain is calibrated specifically for use on the full range of Trumbull pocket-type Chainwheels and is required for smooth operation.

To prevent serious injury, we recommend the use of our Secondary Safety Restraint System (see pages 13 and 14). All Trumbull Chainwheels are furnished with a threaded boss for the addition of our Safety Restraint System.



| Trumbull Item No. | Size No. | Diameter | Boxed Weight | Handwheel Range Chainwheel will Fit** | Bore*** Diameter | Chain Length (2X drop) |
|-------------------|-----------|----------|--------------|---------------------------------------|------------------|------------------------|
| 367-1829 | TRCS-6PD* | 149 mm | 3.85 kg | 54 mm I.D. to 159 mm O.D. | 21.6 mm | Plus 0.30 m |
| 367-1832 | TRCS-8PB | 203 mm | 6.51 kg | 190 mm O.D. to 267 mm O.D. | 38.1 mm | Plus 0.46 m |
| 367-1844 | TRCS-12PB | 295 mm | 8.46 kg | 216 mm O.D. to 343 mm O.D. | 38.1 mm | Plus 0.46 m |
| 367-1849 | TRCS-15PB | 386 mm | 11.23 kg | 241 mm O.D. to 444 mm O.D. | 38.1 mm | Plus 0.61 m |
| 367-1859 | TRCS-22PB | 565 mm | 15.78 kg | 330 mm O.D. to 635 mm O.D. | 38.1 mm | Plus 0.91 m |
| 367-1869 | TRCS-29PB | 743 mm | 20.43 kg | 451 mm O.D. to 813 mm O.D. | 38.1 mm | Plus 1.22 m |

* D suffix denotes "Disc", used in lieu of standard clamping hardware; see page 9 for illustration.

** The ranges above are for Size "B" attachment stampings, furnished standard with TRS-8 to TRS-29 Chainwheels. Chainwheels can fit handwheel diameters outside these ranges by using optional hardware (see chart on page 9). Consult your Sales Rep for either shorter or longer attachment set stampings.

*** Consult factory if using OS&Y gate valves with stem diameters greater than bore diameters shown.

Machine Chain & Connecting Links

Order length of chain required.



| Description | Trumbull Item No. |
|------------------------------------|-------------------|
| Plated Carbon Steel Machine Chain | 367-1818 |
| 316L Stainless Steel Machine Chain | 367-1815 |
| Stainless Steel Connecting Link | 367-1816 |

Ductile Iron and Aluminum Chainwheels are sprocket-type, using single loop cut chain.

Note **CARBON STEEL** and Stainless Steel Chainwheels are pocket-type, using smooth welded link machine chain. See page 7 for Chainwheel dimensions.

Sprocket-Type Chainwheel Dimensions

| Ductile Iron | TR-0.0 | TR-1.0 | TR-1.5 | TR-2.0 | TR-2.5 | TR-3.0 | TR-3.5 | TR-4.0 | TR-4.5 | TR-5.0 |
|----------------------|----------|----------|----------|----------|----------|----------|----------|----------|----------|----------|
| Trumbull Item Number | 367-1873 | 367-1874 | 367-1875 | 367-1876 | 367-1877 | 367-1878 | 367-1879 | 367-1880 | 367-1881 | 367-1882 |
| Boxed Weight (kg) | 1.02 | 2.45 | 3.97 | 6.08 | 7.71 | 9.80 | 13.99 | 19.39 | 22.23 | 28.76 |

| Aluminum | TRA-0.0 | TRA-1.0 | TRA-1.5 | TRA-2.0 | TRA-2.5 | --- | --- | --- | --- | --- |
|----------------------|----------|----------|----------|----------|----------|-----|-----|-----|-----|-----|
| Trumbull Item Number | 367-2020 | 367-2021 | 367-2022 | 367-2023 | 367-2024 | --- | --- | --- | --- | --- |
| Boxed Weight (kg) | 0.48 | 1.20 | 1.88 | 2.40 | 3.58 | --- | --- | --- | --- | --- |

| | | | | | | | | | | |
|---|---------------------|---------------------|-----------------|-----------------|-----------------|--|-----------------|-----------------|-----------------|-----------------|
| Chainwheel O.D. | 102 mm | 152 mm | 190 mm | 229 mm | 317 mm | 394 mm | 483 mm | 559 mm | 660 mm | 762 mm |
| Chainwheel Assembly Fits Handwheel O.D. Range | 51 mm - 102 mm | 108 mm - 146 mm | 152 mm - 190 mm | 197 mm - 229 mm | 235 mm - 317 mm | 324 mm - 394 mm | 400 mm - 483 mm | 489 mm - 559 mm | 571 mm - 660 mm | 571 mm - 914 mm |
| Chain Size | Size #2 | Size 1/0 | | | Size 4/0 | | | Size 5/0 | | |
| Attachment Set Size | Disk #0 367-2005 | Disk #1 367-2006 | "A" 367-1810 | | "B" 367-1811 | "C" 367-1812 | | | "D" 367-1813 | |
| "D" (Overall Depth) | 48 mm | 60 mm | 63 mm | 63 mm | 65 mm | 65 mm | 65 mm | 67 mm | 67 mm | 84 mm |
| "H" (Overall Height) | 127 mm | 175 mm | 222 mm | 273 mm | 321 mm | 406 mm | 483 mm | 584 mm | 686 mm | 762 mm |
| "W" (Overall Width) | 108 mm | 138 mm | 209 mm | 241 mm | 287 mm | 392 mm | 468 mm | 575 mm | 673 mm | 759 mm |
| Star Adapter Size | Small | | Medium | | | Large & X-Large see NOTE below | | | | |
| Min/Max Bore Dia. | 9 mm to 22 mm | | 13 mm to 35 mm | | | 13 mm to 35 mm (Large); 13 mm to 54 mm (X-Large) | | | | |

Note: Chainwheel spokes must be drilled for the Star Adapter on the TR-4.0, TR-4.5 and TR-5.0

Pocket-Type Chainwheel Dimensions

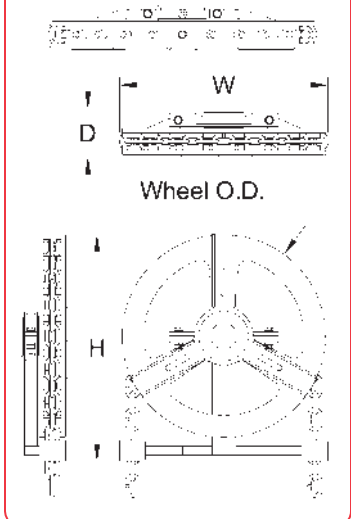
| Carbon Steel | --- | TRCS-6 | TRCS-8 | TRCS-12 | TRCS-15 | TRCS-22 | TRCS-29 |
|----------------------|-----|----------|----------|----------|----------|----------|----------|
| Trumbull Item Number | --- | 367-1829 | 367-1832 | 367-1844 | 367-1849 | 367-1859 | 367-1869 |
| Boxed Weight (kg) | --- | 3.85 | 6.51 | 8.46 | 11.23 | 15.78 | 20.43 |

| Stainless Steel | TRS-4 | TRS-6 | TRS-8 | TRS-12 | TRS-15 | TRS-22 | TRS-29 |
|----------------------|----------|----------|----------|----------|----------|----------|----------|
| Trumbull Item Number | 367-1825 | 367-1830 | 367-1833 | 367-1845 | 367-1850 | 367-1860 | 367-1870 |
| Boxed Weight (kg) | 2.15 | 3.92 | 6.53 | 8.98 | 10.84 | 15.63 | 21.77 |

| | | | | | | | |
|---|----------------|----------------|---|-----------------|-----------------|-----------------|-----------------|
| Chainwheel O.D. | 105 mm | 149 mm | 203 mm | 295 mm | 386 mm | 565 mm | 743 mm |
| Chainwheel Assembly Fits Handwheel O.D. Range | 38 mm - 114 mm | 54 mm - 159 mm | 190 mm - 267 mm | 216 mm - 343 mm | 241 mm - 444 mm | 330 mm - 635 mm | 451 mm - 813 mm |
| Attachment Set Size | Disk #4 | Disk #6 | "B" Attachment Set (367-1808) provided as standard. Ranges can be expanded by optional sets "A" & "C" (see page 9). | | | | |
| "D" (Overall Depth) | 60 mm | 67 mm | 70 mm | 70 mm | 70 mm | 70 mm | 73 mm |
| "H" (Overall Height) | 159 mm | 179 mm | 229 mm | 333 mm | 413 mm | 565 mm | 743 mm |
| "W" (Overall Width) | 117 mm | 157 mm | 214 mm | 305 mm | 397 mm | 575 mm | 749 mm |
| Star Adapter Size | Small | | Large | | | | |
| Min/Max Bore Dia. | 9 mm to 22 mm | | 13 mm to 35 mm | | | | |

Dimensions

For both sprocket-type and pocket-type Chainwheels.



Chain & Connecting Links

For Trumbull Chainwheels

Sprocket-Type Chainwheels

Ductile Iron & Aluminum

SINGLE LOOP CHAIN
engages with the teeth in the wheel.

Pocket-Type Chainwheels

Carbon Steel & Stainless Steel

WELDED LINK MACHINE CHAIN
fits in pockets in the wheel. Smooth chain links provide more comfortable operation.



Ordering Info

When ordering chain, indicate the Chainwheel and Chain size numbers, and the number of feet of chain required. Chain is provided in continuous lengths and easily cut in the field to exact length needed.

Closing the loop is simple with Connecting Links...

Single-Loop Chain

for sprocket-type Chainwheels

| Chain Size | Galvanized | Stainless |
|------------|-------------------|-------------------|
| | Trumbull Item No. | Trumbull Item No. |
| #2 | 172-1650 | ---- |
| 1/0 | 367-1894 | 367-1897 |
| 4/0 | 367-1895 | 367-1898 |
| 5/0 | 367-1896 | 367-1901 |

Connecting Links

for sprocket-type Chainwheels

See page 11 for installation instructions!

| Chain Size | Galvanized | Stainless |
|------------|-------------------|-------------------|
| | Trumbull Item No. | Trumbull Item No. |
| #2 | ---- | ---- |
| 1/0 | 367-1994 | 367-1997 |
| 4/0 | 367-1995 | 367-1998 |
| 5/0 | 367-1996 | ---- |

Welded Link Machine Chain

Calibrated specifically for our pocket-type Chainwheels

| 316L Stainless | Zinc Plated Carbon Steel |
|-------------------|--------------------------|
| Trumbull Item No. | Trumbull Item No. |
| 367-1815 | 367-1818 |

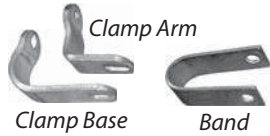
TR Series Connecting Links

for pocket-type Chainwheels

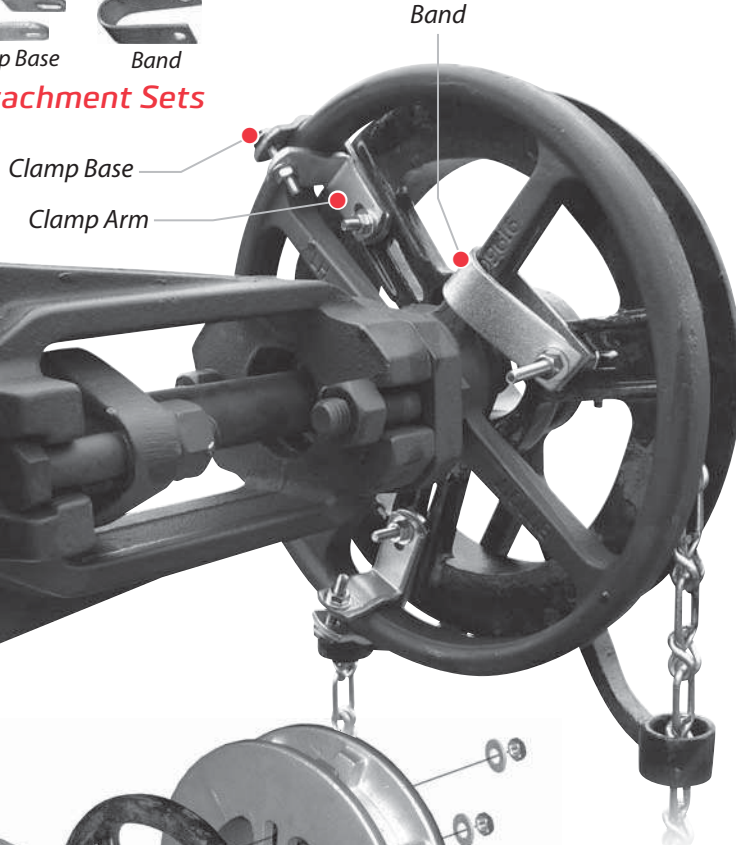
| 316L Stainless | Zinc Plated Carbon Steel |
|-------------------|--------------------------|
| Trumbull Item No. | Trumbull Item No. |
| 367-1816 | ---- |

Clamp-On Attachment Sets & Discs

for Trumbull Chainwheels



Attachment Sets



Each Trumbull Chainwheel is furnished standard with Clamp-On Attachment Hardware. The smaller sizes furnished with Clamping Discs, and larger sizes with Attachment Sets, as outlined below.

Sprocket-Type Chainwheels

Sizes TR/A-0.0 & TR/A-1.0 use Clamping Disc hardware

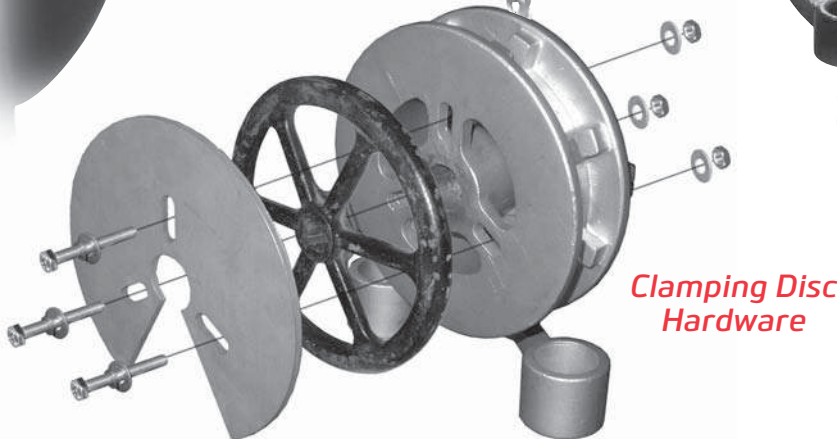
Sizes TR/A-1.5 to TR/A-2.5 use two sets of Clamp Bases & Arms, plus one Band

Sizes TR/A-3.0 to TR/A-5.0 use three sets of Clamp Bases & Arms and do not use a Band

Pocket-Type Chainwheels

Sizes TRS/CS-4 & TRS/CS-6 use Clamping Disc hardware

Sizes TRS/CS-8 to TRS/CS-29 are furnished standard with size "B" Attachment Sets. Pocket Chainwheels can fit handwheel diameters outside these ranges by using optional Hardware Sets "A" and "C" as shown on chart below



Clamping Disc Hardware

Pocket Handwheel O.D. Ranges

| Size | "A" Attachment Set | | "B" Attachment Set | | "C" Attachment Set | |
|-----------|--------------------|-----------|--------------------|-----------|--------------------|-----------|
| | Min. O.D. | Max. O.D. | Min. O.D. | Max. O.D. | Min. O.D. | Max. O.D. |
| TRS/CS-8 | 152 mm | 203 mm | 190 mm | 267 mm | 317 mm | 394 mm |
| TRS/CS-12 | 178 mm | 279 mm | 216 mm | 343 mm | 336 mm | 470 mm |
| TRS/CS-15 | 203 mm | 381 mm | 241 mm | 444 mm | 359 mm | 584 mm |
| TRS/CS-22 | 279 mm | 571 mm | 330 mm | 635 mm | 444 mm | 762 mm |
| TRS/CS-29 | 406 mm | 737 mm | 451 mm | 813 mm | 571 mm | 940 mm |

Direct-Mount "Star Adapters"

For both Sprocket-Type & Pocket-Type Chainwheels

STAR ADAPTERS are available for direct mounting of Chainwheels to valve, gear box, or actuator stem.

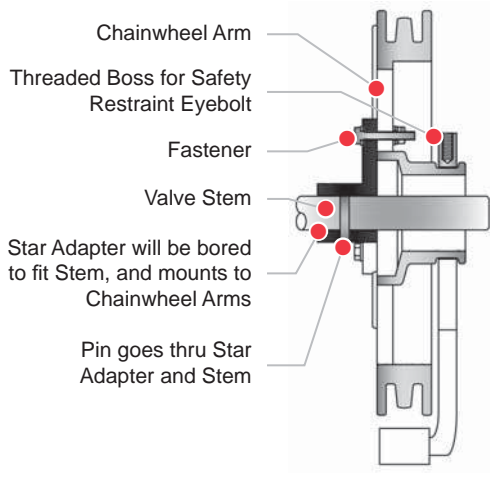
These adapters require pinning to the stem. Pilot holes are pre-drilled in the adapter for ease of installation on-site; the drilling of the stem is by customer. Star Adapters will be furnished with fasteners necessary to attach to Chainwheel, in lieu of clamping hardware normally furnished with Chainwheel.



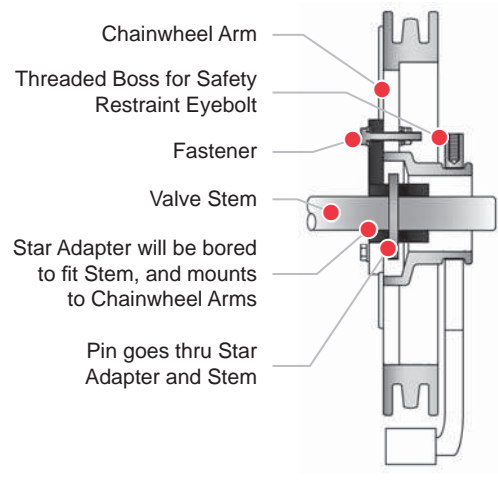
Ductile Iron Star Adapters

Stainless Steel Star Adapters

External Assembly



Internal Assembly



Ductile Iron Star Adapter Dimensions - for Sprocket-Type Chainwheels

| | Size 0.0 | Size 1.0 | Size 1.5 | Size 2.0 | Size 2.5 | Size 3.0 | Size 3.5 | Size 4.0 | Size 4.5 | Size 5.0 |
|----------------------------|----------|----------|----------|----------|----------|------------------------|----------|----------|----------|----------|
| DI Star Adapter | S | S | M | M | M | L & XL | L & XL | L & XL | L & XL | L & XL |
| Bore Size, standard | 9.5 mm | | 12.7 mm | | | 12.7 mm | | | | |
| Hub O.D. | 28.6 mm | | 41.3 mm | | | L 41.3 mm / XL 60.3 mm | | | | |
| Optional Bore, max. | 22.2 mm | | 34.9 mm | | | L 34.9 mm / XL 54.0 mm | | | | |
| Hub Height | 19.0 mm | | 30.2 mm | | | 38.1 mm | | | | |

Stainless Steel Star Adapter Dimensions - for Pocket-Type Chainwheels

| | Size 4 | Size 6 | Size 8 | Size 12 | Size 15 | Size 22 | Size 29 |
|----------------------------|---------|--------|---------|---------|---------|---------|---------|
| SS Star Adapter | S | S | L | L | L | L | L |
| Bore Size, standard | 9.5 mm | | 19.0 mm | | | | |
| Hub O.D. | 27.0 mm | | 39.7 mm | | | | |
| Optional Bore, max. | 22.2 mm | | 35.0 mm | | | | |
| Hub Height | 12.7 mm | | 38.1 mm | | | | |

TR Series Connecting Links

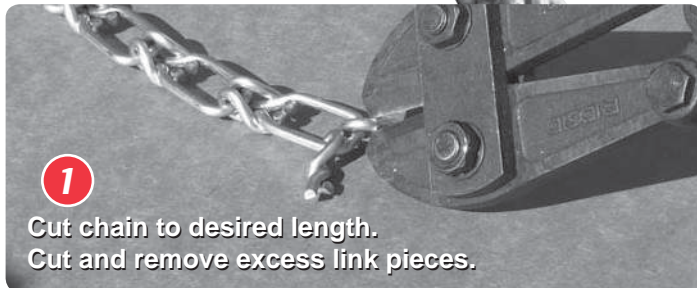
Used to Connect Chain for use with Sprocket Chainwheels

TR SERIES CONNECTING LINKS are used to connect single loop chain for use with Trumbull ductile iron and aluminum sprocket Chainwheels. Pre-formed Connecting Links eliminate the need to cut and bend chain to form a loop.

Available in three sizes; 1/0, 4/0 and 5/0.

| Chain Size | Galvanized | | 316 Stainless Steel | |
|------------|-------------------|---------|---------------------|---------|
| | Trumbull Item No. | Weight | Trumbull Item No. | Weight |
| 1/0 | 367-1994 | 0.01 kg | 367-1997 | 0.01 kg |
| 4/0 | 367-1995 | 0.01 kg | 367-1998 | 0.01 kg |
| 5/0 | 367-1996 | 0.02 kg | ---- | ---- |

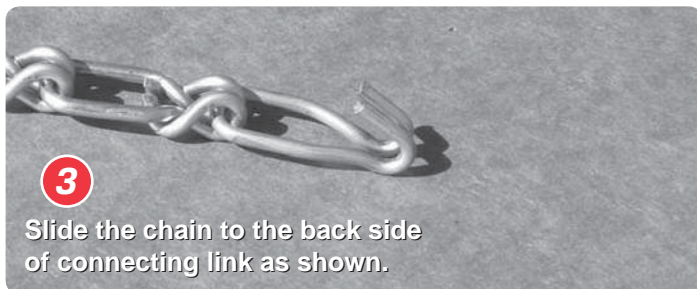
Installation is **EASY**,
just follow these five steps...



1
Cut chain to desired length.
Cut and remove excess link pieces.



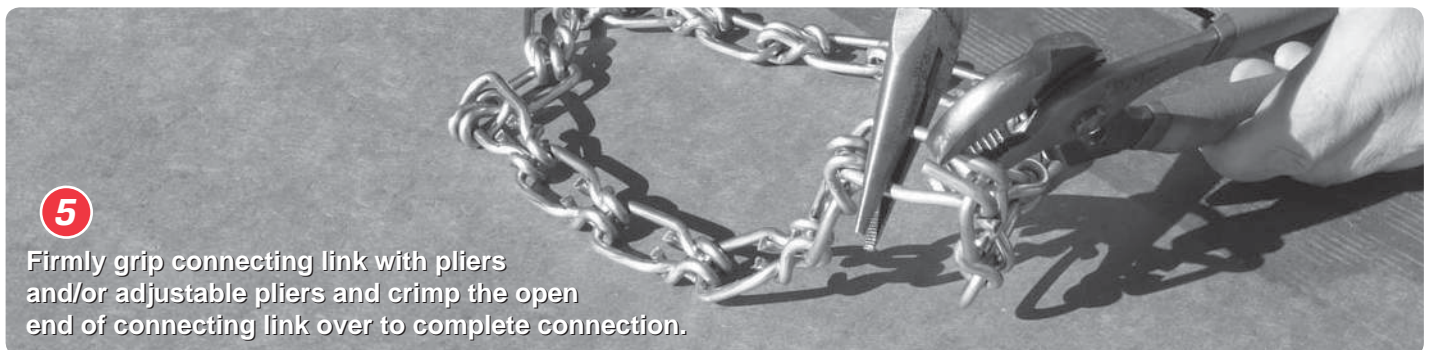
2
Install connecting link
by inserting looped end of chain
into the open end of connecting link.



3
Slide the chain to the back side
of connecting link as shown.



4
Lay opposite end of chain
onto the connecting link.



5
Firmly grip connecting link with pliers
and/or adjustable pliers and crimp the open
end of connecting link over to complete connection.

"Chain-Up" Device

Eliminates a Potential Safety Hazard Presented by Overhead Chains

Chainwheels are installed to provide access to overhead valves. However, they frequently result in chain hanging into the pathway of workers, creating an obstacle course or safety hazard.

The "Chain-Up" device stores chain overhead and safely above the pathway. Simply hook the clevis pin into a chain link at the desired overhead height and insert the chain into the device. Pull on the handle to release the chain for operation. After use, the chain is placed back into the Chain-Up, and hooked at the desired height. Furnished in Safety Orange. Made of high-strength thermoplastic polymer.



Chain in pathway.



CHAIN-UP DEVICE
stores the chain above pathway.



| <i>Trumbull Item No.</i> | <i>Overall Length</i> | <i>Weight</i> |
|------------------------------|---------------------------|---------------|
| 367-1890 | 298 mm | 0.25 kg |

For additional Chainwheel safety, always use Trumbull's Chainwheel Safety Restraint System (see page 13 & 14 for more information).

Now You Can
PREVENT SERIOUS INJURY
 With Our . . .

Secondary
Safety Restraint System

If a Chainwheel is properly installed, maintained and inspected, it should never separate from the valve and fall to the ground. Although the likelihood of a Chainwheel falling is small, the result could be a serious injury or even a fatality.

Safety Cable Kits can be economically added to the Chainwheel installation. One end is attached to the Chainwheel and the other to a permanent part of the valve or an adjacent pipe.

Cable, clips and eyebolts are made from Type 316 stainless steel for long life in even the most corrosive environments.



Safety Restraints
PROTECT WORKERS
 from
POTENTIAL INJURY!

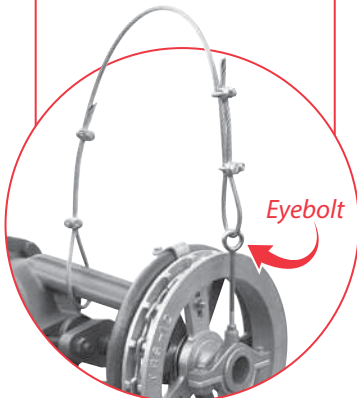
Step 1 Order Kit

Trumbull Item No.

367-1975

Kit is furnished with 1.52 m of safety cable and 4 cable clamps.

Eyebolts must be ordered separately, see chart on right...



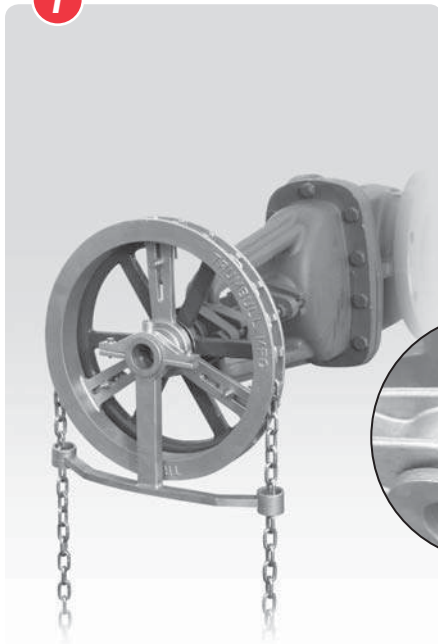
Step 2 Select Eyebolt

| | Chainwheel Model | Eyebolt Length | Trumbull Item No. |
|------------------------|------------------|----------------|------------------------|
| Stainless Steel | TR-4 | ---- | 25 mm 367-1974 |
| | TR-6 | TRCS-6 | 25 mm 367-1974 |
| | TR-8 | TRCS-8 | 76 mm 367-1973 |
| | TR-12 | TRCS-12 | 152 mm 367-1972 |
| | TR-15 | TRCS-15 | 152 mm 367-1972 |
| | TR-22 | TRCS-22 | 330 mm 367-1970 |
| | TR-29B | TRCS-29B | 406 mm 367-1969 |
| | TR-29C | TRCS-29C | 483 mm 367-1967 |
| Ductile Iron | TR-0.0 | TRA-0.0 | 51 mm 367-1968 |
| | TR-1.0 | TRA-1.0 | 51 mm 367-1968 |
| | TR-1.5 | TRA-1.5 | 76 mm 367-1973 |
| | TR-2.0 | TRA-2.0 | 76 mm 367-1973 |
| | TR-2.5 | TRA-2.5 | 152 mm 367-1972 |
| | TR-3.0 | ---- | 229 mm 367-1971 |
| | TR-3.5 | ---- | 229 mm 367-1971 |
| | TR-4.0 | ---- | 229 mm 367-1971 |
| | TR-4.5 | ---- | 330 mm 367-1970 |
| | TR-5.0 | ---- | 457 mm 367-1967 |

Installing the Safety Restraint is as easy as . . .

1-2-3-4

1



Typical chainwheel installation. Safety cap is threaded to accept eyebolt.

2



Install safety cable eyebolt and use jam nut to secure in place.

3



Loop cable through eyebolt leaving about 152 mm excess. Install one cable clamp about 25 mm from end, and the second clamp as close to the eyebolt as possible.

Note

Eye of eyebolt must be parallel to Chainwheel and u-bolt nuts should face AWAY from the Chainwheel.

4



Loop other end of cable around a secure object. Cable can be attached to yoke of valve or an adjacent pipe.

Note

Tighten all four clamp nuts evenly to 15 ft-lb minimum.

For Additional
TRUMBULL PRODUCTS
Log on to trumbull-mfg.com for more info!



STEM GUIDES



VALVE POSITION INDICATORS



FLOORSTANDS



FLOOR BOXES



CHAIN LEVERS



VALVE EXTENSION STEMS

In Europe, contact:

miranox
Armaturen GmbH

Liebkechtstraße 71
D – 39110 Magdeburg

Tel.: +49(0)391/52 08 93 74

Fax: +49(0)391/60 787 08

Email: armaturen@miranox.de
valves@miranox.de

www.miranox.de

Contact Information:

TRUMBULL

TRUMBULL INDUSTRIES, INC.

1040 N. Meridian Rd., PO Box 1556,
Youngstown, Ohio 44501, USA

Tel.: +1 (330) 799-3333

Gebührenfrei (in den USA): (800) 677-1799

Fax: +1 (330) 797-3215

www.trumbull-mfg.com